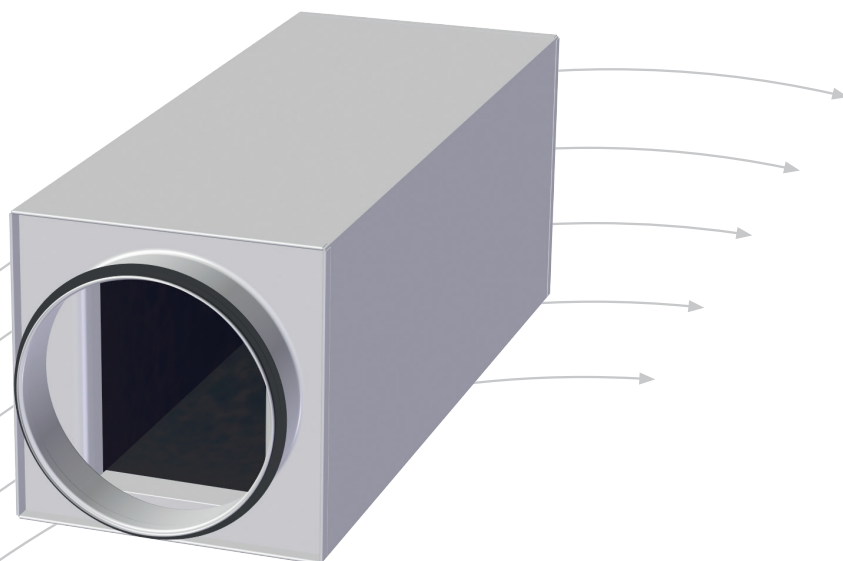


LKR

Space-saving sound attenuator for circular ducts



TROX[®] TECHNIK

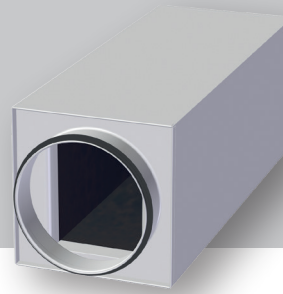
Auranor

TROX Auranor Norge AS

PO Box 100
NO-2712 Brandbu

Telephone +47 61 31 35 00
Fax +47 61 31 35 10
e-mail: firmapost@auranor.no
www.trox.no

LKR



APPLICATION

LKR is a square sound attenuator with circular end spigots. LKR-V is a square sound attenuator with a circular end and side spigot in order to accommodate a right-angled bend.

DESIGN

LKR and LKR-V comprise a square steel unit where all 4 internal walls are lined with mineral wool with a glass fibre layer. From dimension Ø315 and up, all sound attenuators are equipped with a centre baffle. LKR and LKR-V complies air tightness class C.

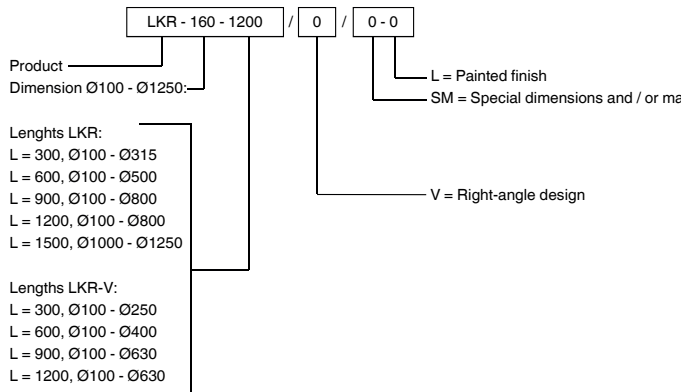
MATERIALS AND SURFACE COATING

LKR and LKR-V are supplied in a galvanised steel finish. The units from dimension Ø100 up to Ø630 are fitted with EPDM rubber gasket on the connection collars, remaining dimensions without rubber gasket. Internally, the units are lined with mineral wool with a glass fibre layer.

QUICK SELECTION

In order to ensure the optimum choice of LKR, please use the "Attenuator Selection" computer program available for download from our website: www.trox.no

ORDER CODE, LKR



DIMENSIONS AND WEIGHT, LKR

LKR Dim.	Weight [kg]				
	L = 300	L = 600	L = 900	L = 1200	L = 1500
100	1,8	3	3,9	5,1	-
125	2,2	3,5	4,6	6,1	-
160	2,7	4,5	5,8	7,6	-
200	3,3	5,4	7,3	9,1	-
250	4,3	6,8	9,2	12	-
315	5,6	9,2	11,7	15	-
400	-	12,7	15,4	19,5	-
500	-	16,8	22	26,5	-
630	-	-	29,5	35	-
800	-	-	38	44	-
1000	-	-	-	-	100
1250	-	-	-	-	120

Table 1: LKR and LKR-V

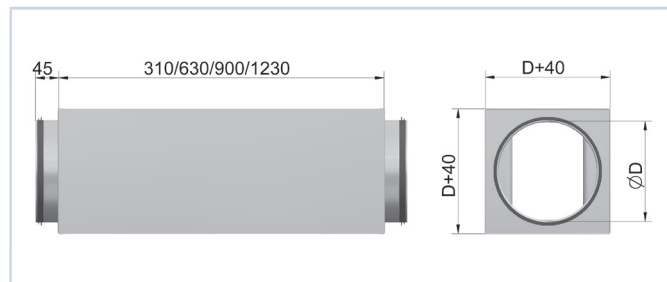
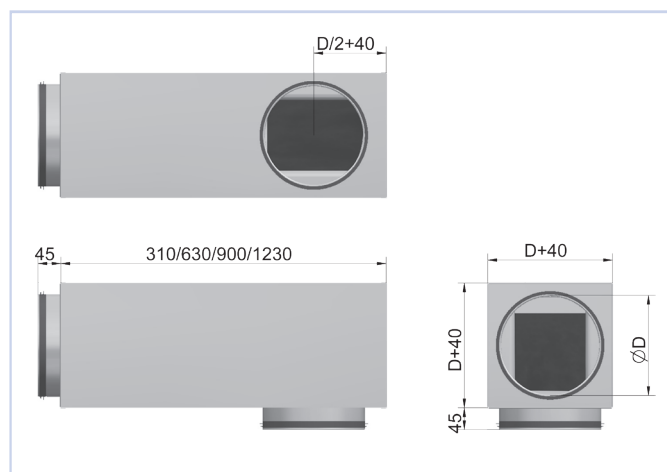


Fig. 1, LKR



LKR

DIMENSIONING

Static sound attenuation, LKR

Dim.	63	125	250	500	1k	2k	4k	8k
100-300	1	3	5	9	13	20	23	10
100-600	2	7	10	17	23	34	43	20
100-900	2	6	13	23	34	49	50	27
100-1200	3	10	17	30	43	50	50	36
125-300	1	6	5	10	14	22	18	10
125-600	2	9	10	18	26	39	36	17
125-900	3	14	14	24	35	51	46	24
125-1200	4	13	17	32	41	50	50	29
160-300	2	6	5	8	16	21	14	9
160-600	3	9	10	16	28	45	26	15
160-900	3	12	15	23	36	50	34	21
160-1200	4	14	18	27	39	50	40	25
200-300	1	2	3	7	14	14	10	8
200-600	3	4	7	13	24	34	17	12
200-900	4	8	12	18	32	46	22	16
200-1200	4	9	14	21	37	50	27	19
250-300	2	3	6	9	15	13	10	8
250-600	2	7	11	17	27	27	17	12
250-900	3	8	13	23	39	36	22	14
250-1200	4	10	19	27	40	46	27	18
315-300	1	1	6	8	19	27	15	10
315-600	1	2	7	13	25	40	27	18
315-900	3	5	10	19	32	50	34	22
315-1200	4	8	16	25	41	50	45	32
400-600	2	5	7	12	24	30	18	11
400-900	3	6	10	17	32	38	24	14
400-1200	4	7	13	23	35	36	28	16
500-600	2	5	9	16	26	26	19	11
500-900	3	7	12	21	36	35	24	14
500-1200	5	8	16	30	44	46	29	18
630-600	1	6	8	15	25	18	13	9
630-900	4	6	10	19	33	24	16	11
630-1200	6	9	15	27	44	33	21	14
800-600	1	5	8	14	24	16	12	8
800-900	3	6	9	18	31	20	14	10
800-1200	5	8	14	25	42	29	19	12
1000-1500	7	10	17	30	46	35	25	18
1250-1500	8	11	19	33	47	38	28	21

Table 2, LKR

Static sound attenuation, LKR-V

Dim.	63	125	250	500	1k	2k	4k	8k
100-300	0	-2	6	8	20	26	23	19
100-600	1	5	9	14	31	42	45	29
100-900	2	5	10	19	38	51	51	32
100-1200	5	8	16	28	50	57	51	39
125-300	2	5	7	11	21	24	22	21
125-600	1	10	12	19	34	44	42	33
125-900	2	10	14	25	44	56	50	36
125-1200	3	16	18	34	52	57	52	42
160-300	1	4	3	12	20	19	18	16
160-600	3	12	7	20	35	46	36	29
160-900	1	12	10	26	43	56	46	35
160-1200	4	12	13	31	51	59	52	41
200-300	4	4	4	13	15	14	14	13
200-600	8	5	7	19	29	33	27	24
200-900	5	8	9	24	38	46	35	30
200-1200	8	9	12	29	48	60	41	38
250-300	3	1	6	15	13	12	11	11
250-600	7	4	10	23	31	28	24	22
250-900	15	5	13	29	43	39	32	28
250-1200	11	6	17	36	50	52	39	35
315-600	9	1	9	21	28	38	30	27
315-900	9	3	11	27	38	52	42	36
315-1200	14	4	14	32	46	53	48	43
400-600	4	3	12	18	27	31	26	23
400-900	6	6	14	24	36	44	35	31
400-1200	10	7	17	30	48	61	46	37
500-900	6	7	20	24	35	39	30	26
500-1200	8	8	25	32	40	51	42	35
630-900	3	7	19	22	27	29	24	22
630-1200	5	9	24	30	40	41	33	29

LKR

CALCULATION DIAGRAM

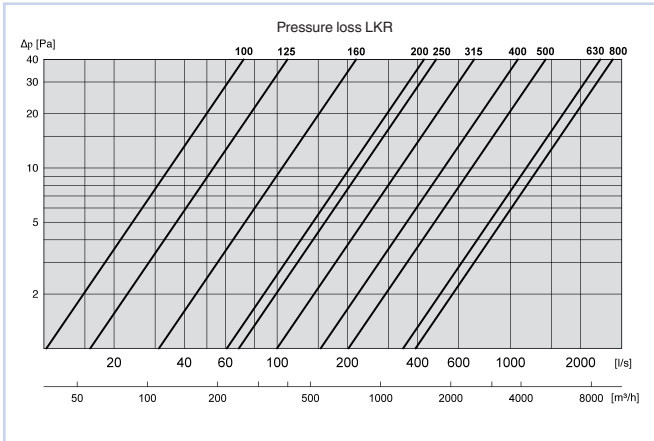


Diagram 1: Pressure loss, LKR

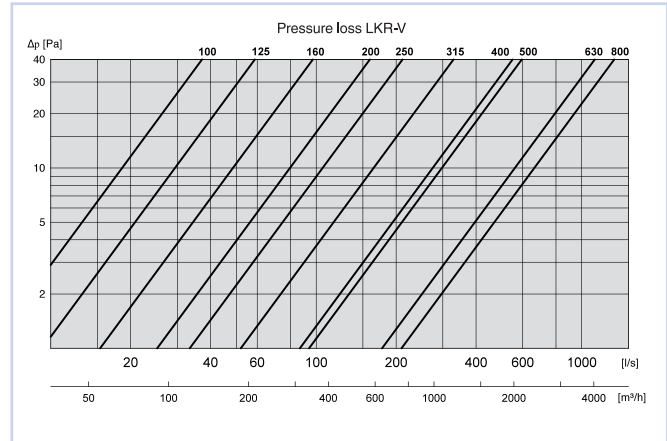


Diagram 2: Pressure loss, LKR-V

INSTALLATION

Installation principle shown in fig. 3.

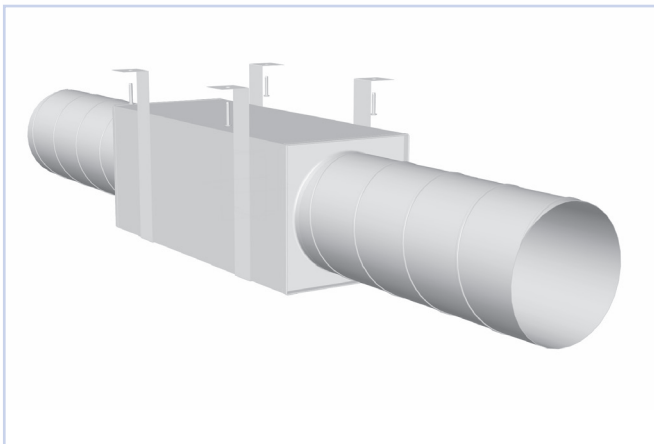


Fig. 3: Installation

MAINTENANCE

The attenuation material used in LKR has a layer approved for mechanical cleaning with rotating nylon brushes.

ENVIRONMENT

Enquiries regarding product declaration can be directed to our sales team, or information can be found at our website: www.trox.no

LKR is developed and manufactured by:

The company reserves the right to make amendments without prior notice.