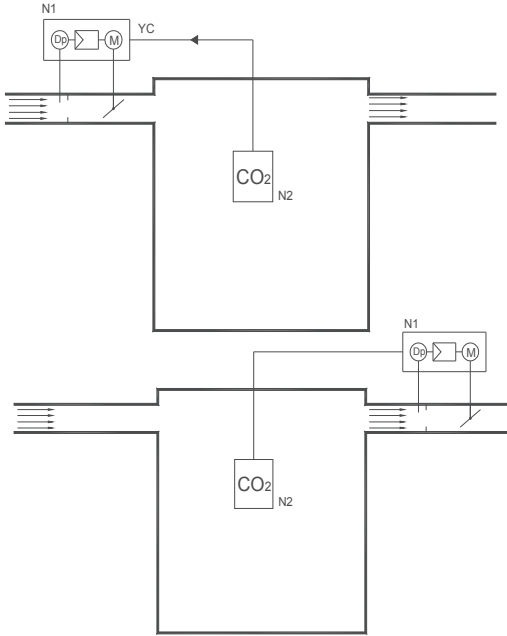


VAV variable airflow - Room CO₂ control. Supply, exhaust, supply and exhaust control.

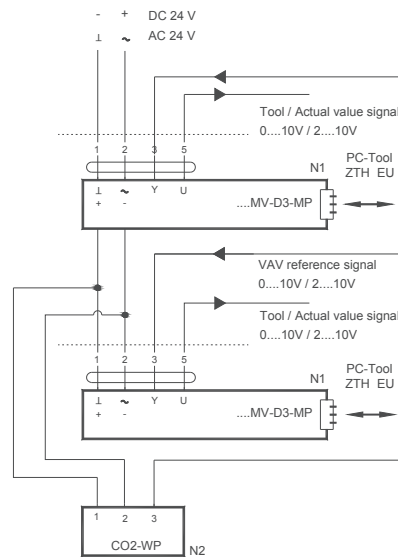
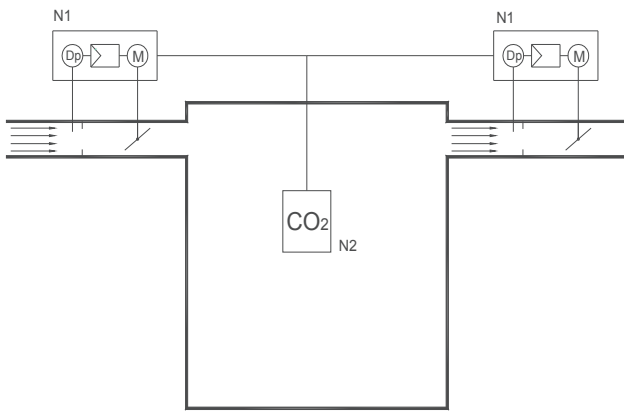
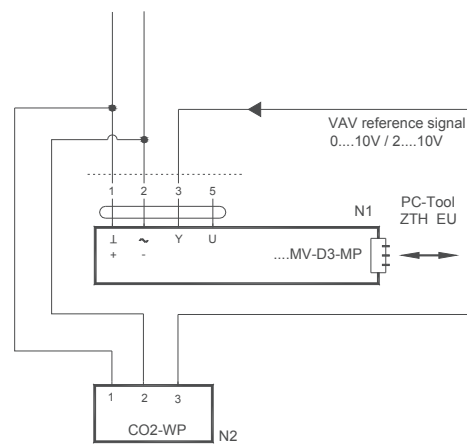
Wiring diagram BELIMO



SVA-C/LMV-D3-MP/

- + DC 24 V
1 ~ AC 24 V

CO₂-WP



| | CO ₂ concentration (ppm) | |
|------------------------|-------------------------------------|---------------|
| | Range | default value |
| IDA 1 High quality | ≤ 400 | 350 |
| IDA 2 Medium quality | 400...600 | 500 |
| IDA 3 Moderate quality | 600...1.000 | 800 |
| IDA 4 Low quality | > 1.000 | 1.200 |

350 ppm: Mean concentration in outside air.

500 to 800 ppm: Comfort conditions in buildings.

1500 ppm: Comfort limit in buildings.

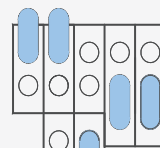
Commissioning. Jumper Position.

| | J1 | J2 |
|--------------------|--------------|--------------|
| 0-10 VDC (default) | disconnected | disconnected |
| 2-10 VDC | connected | disconnected |

| | J3 |
|-----------------------|--------------|
| PID out put (default) | disconnected |
| Linear output | connected |

| | J4 | J5 |
|-------------------|--------------|--------------|
| 350 ppm | disconnected | disconnected |
| 500 ppm | connected | disconnected |
| 800 ppm (default) | disconnected | connected |
| 1200 ppm | connected | connected |

J3 J1 J2 S1 S2



J4 J5