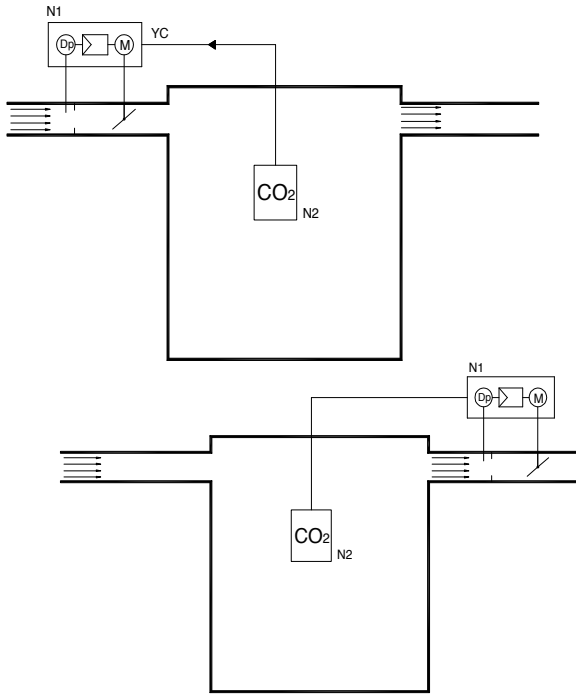


VAV variable airflow - Room CO₂ control. Supply, exhaust, supply and exhaust control.

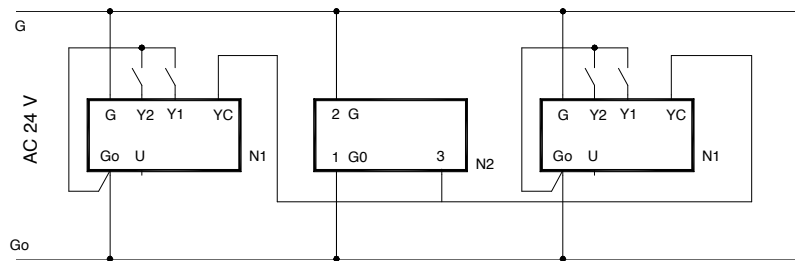
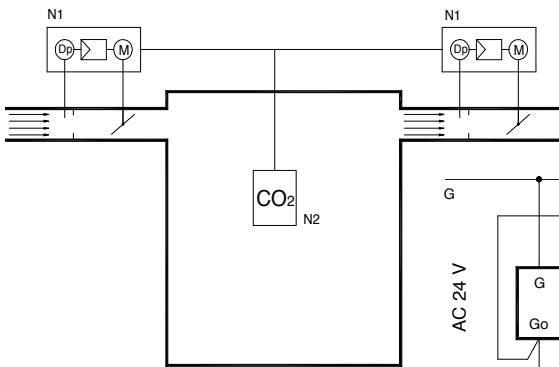
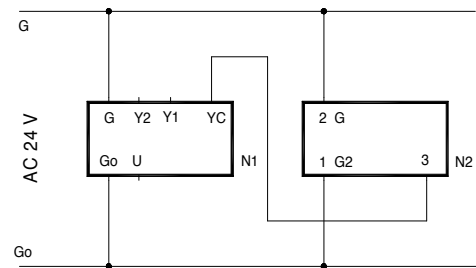
Wiring diagram SIEMENS



SVA-C / GDB181.1E/3/



CO2-WP



	CO ₂ concentration (ppm)	
	Range	default value
IDA 1 High quality	≤ 400	350
IDA 2 Medium quality	400...600	500
IDA 3 Moderate quality	600... 1.000	800
IDA 4 Low quality	> 1.000	1.200

350 ppm: Mean concentration in outside air.

500 to 800 ppm: Comfort conditions in buildings.

1500 ppm: Comfort limit in buildings.

Commissioning. Jumper Position.

	J1	J2
0-10 VDC (default)	disconnected	disconnected
2-10 VDC	connected	disconnected

	J3
PID out put (default)	disconnected
Linear output	connected

	J4	J5
350 ppm	disconnected	disconnected
500 ppm	connected	disconnected
800 ppm (default)	disconnected	connected
1200 ppm	connected	connected

