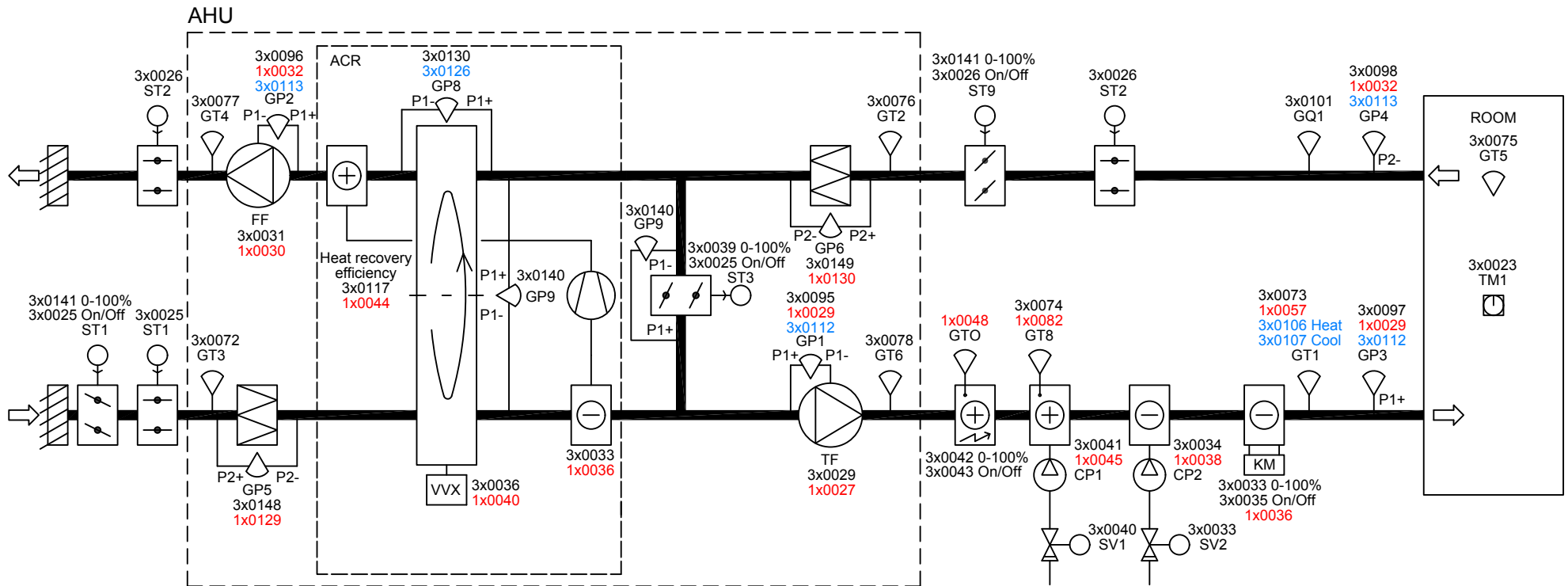


Examples of useful Modbus addresses for AHU in general (Rotary heat exchanger, Cooling unit etc.)



Status and alarm

- 3x0017 Actual operating mode
- 3x0018 Actual fan step
- 3x0019 Manual operation (terminal service switch)
- 3x0023 External control (Dig.Input, timer switch)
- 3x0001 0=Winter (Supply air temp. control)
/bit6 1=Summer (Room/Exhaust temp. control)
- 1x0001 Alarm class Danger (A)
- 1x0002 Alarm class Critical (A)
- 1x0003 Alarm class Low (B)
- 1x0004 Alarm class Warning (C)

Black	Value/Status
Green	Setpoint/Command
Red	Alarm
Blue	Actual setpoint-value

Setpoints

- 4x0005 BMS control unit (override internal time switch program)
- 4x0022 Setpoint heating
- 4x0021 Deadzone (creates cooling setpoint, Ex 21°C + 2°C = 23°C)
- 4x0032 Supply temp. compensation (Exhaust/Supply alternative)
- 4x0050 Supply fan setpoint step 1 (low) TF (% Pa, l/s)
- 4x0051 Supply fan step 2 (normal) TF (% Pa, l/s)
- 4x0052 Supply fan step 3 (high) TF (% Pa, l/s)
- 4x0054 Exhaust fan setpoint step 1 (low) FF (% Pa, l/s)
- 4x0055 Exhaust fan step 2 (normal) FF (% Pa, l/s)
- 4x0056 Exhaust fan step 3 (high) FF (% Pa, l/s)
- 4x0059 Setpoint air quality, CO²
- 0x0001 Alarm reset
- 0x0015 Fire Alarm
- 0x0011 Emergency stop input

Energy Watch

- 3x0178 SFP-Value
- 3x0356 Heat recovery Actual rec. power (kWh)
- 3x0358 Heat recovery day (kWh)
- 3x0360 Heat recovery month (kWh)
- 3x0362 Heat recovery year (MWh)
- 3x0364 Heat recovery last year (MWh)
- 3x0368 Heat recovery last month (kWh)
- 3x0370 Added heat Energy today (kW)
- 3x0372 Added heat Energy today (kWh)
- 3x0374 Added heat Energy month (kWh)
- 3x0376 Added heat Energy year (MWh)
- 3x0378 Added heat Energy last year (MWh)
- 3x0382 Added heat Energy last month (MWh)
- 3x0384 Fans Actual Power (kW)
- 3x0386 Fans Energy added today (kWh)
- 3x0388 Fans Energy added month (kWh)
- 3x0390 Fans Energy added year (MWh)
- 3x0392 Fans Energy added last year (MWh)
- 3x0396 Fans Energy added last month (kWh)